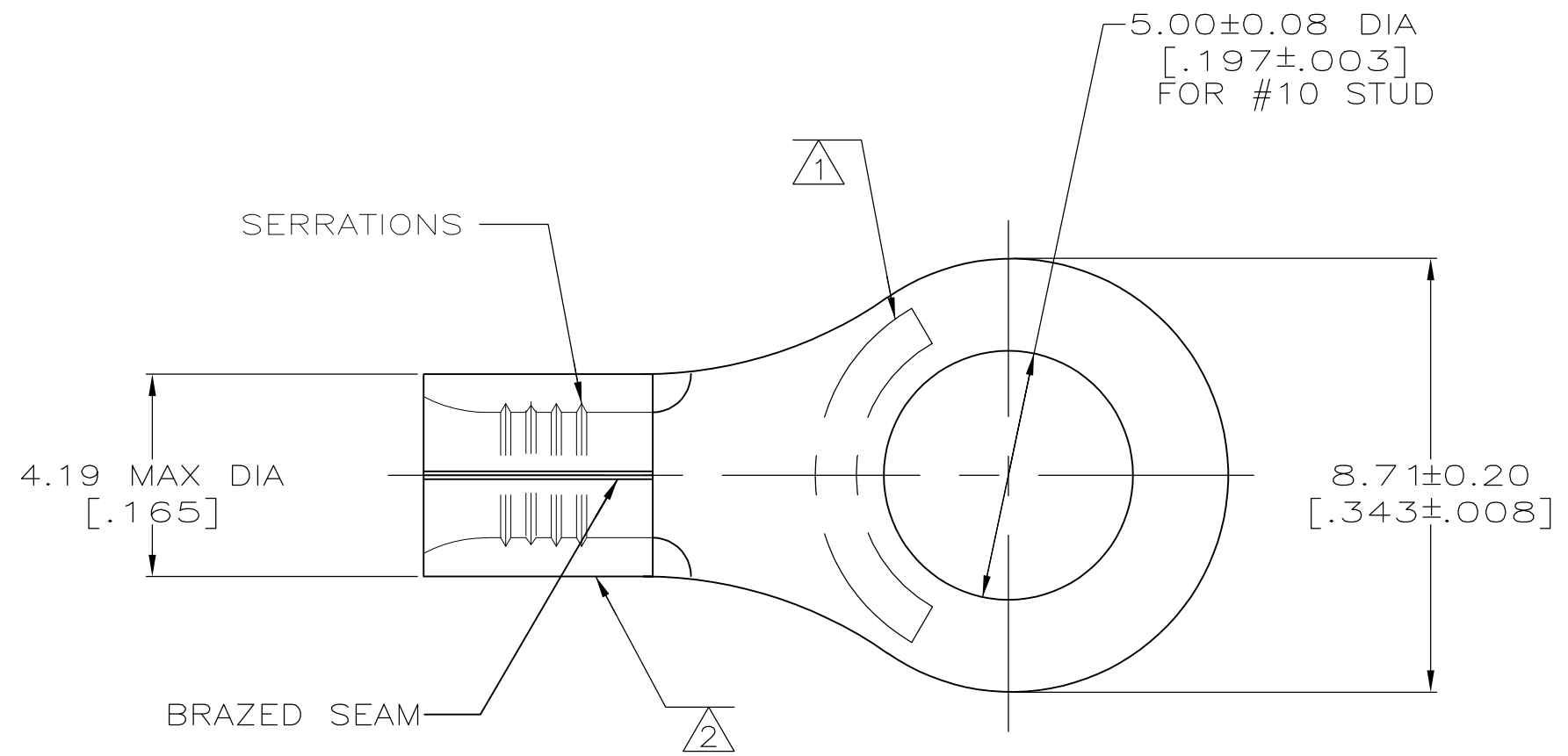
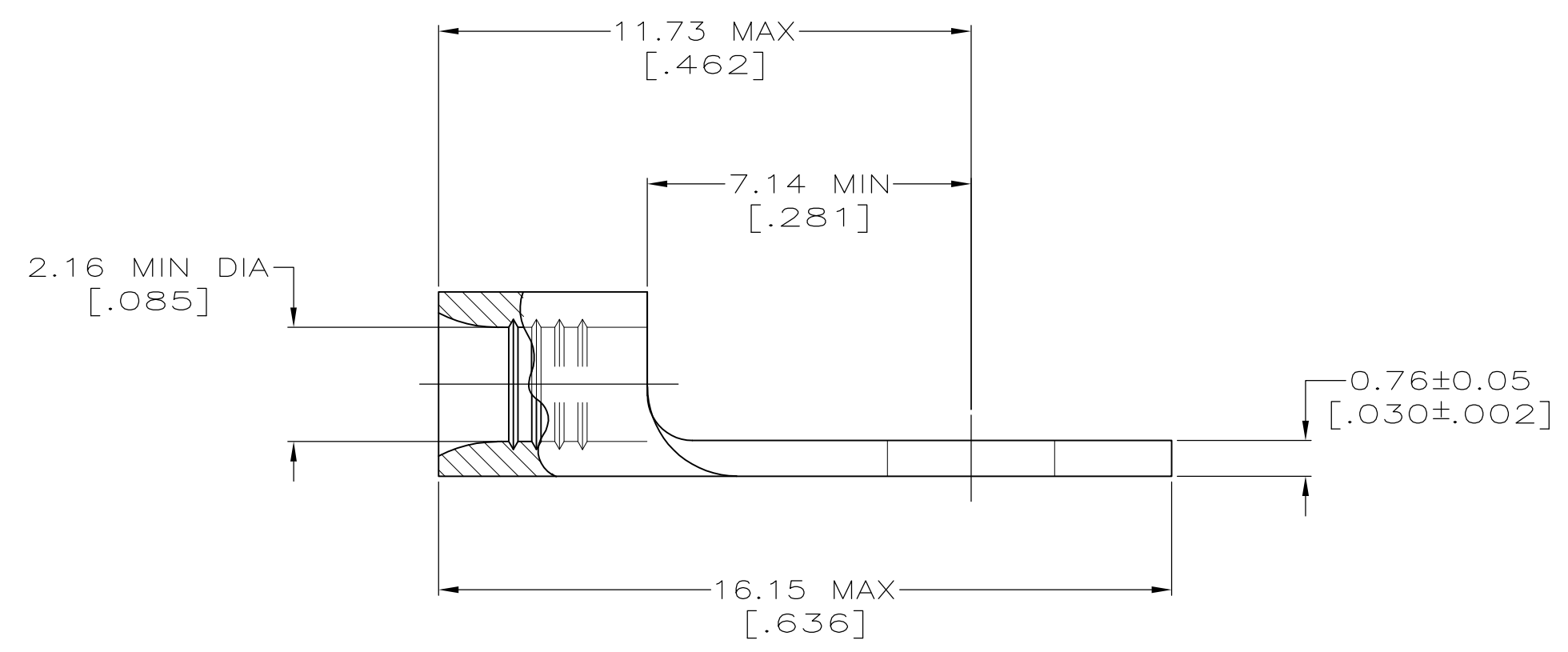


**METRIC**  
 DIMENSIONS LISTED IN mm [ INCHES ]



|                                |                           |
|--------------------------------|---------------------------|
| <b>AMP</b><br>WIRE RANGE       | E13288<br>Listed          |
| 16-14 AWG<br>SOLID OR STRANDED | NOT<br>APPLICABLE         |
| LR7189<br>Certified            | MILITARY P/N<br>AND CLASS |
| NOT<br>APPLICABLE              | NOT APPLICABLE            |

- ① STAMP AMP 16-14 APPROX AS SHOWN
- ② WIRE BARREL COLOR CODED ORANGE TO DENOTE NICKEL MATERIAL



|          |   |            |
|----------|---|------------|
| 100      | LOOSE PIECE, BOX<br>SPECIAL (NO WINDOW) | 8-322335-5 |
| 100      | LOOSE PIECE, BOX                        | 8-322335-1 |
| 5000     | ON TAPE                                 | 2-322335-5 |
| ----     | LOOSE PIECE                             | 322335     |
| QUANTITY | PACKAGING TYPE                          | PART NO    |

|   |  |  |
|---|--|--|
| <b>AMP INCORPORATED<br/>CUSTOMER SERVICE SYSTEMS</b>                                      |  | MAX RECOMMENDED OPERATING<br>TEMPERATURE:<br>649° C MAX  |
| FOR ADDITIONAL<br>PRODUCT INFORMATION OR<br>COPIES OF DRAWINGS<br>AND TECHNICAL DOCUMENTS | PRODUCT INFORMATION CENTER<br>1-800-522-6752 | VOLTAGE RATING:<br>NOT APPLICABLE  |
| FOR APPLICATION<br>TOOLING INFORMATION  | TOOLING ASSISTANCE CENTER<br>1-800-722-1111  | WIRE CROSS SECTIONAL AREA RANGE:<br>1.04-2.62mm <sup>2</sup> [2,050-5,180] CIR MILS<br>SOLID OR STRANDED   |
| FOR ORDER ENTRY   | 1-800-526-5142                               | THIS DRAWING IS A CONTROLLED DOCUMENT FOR<br>AMP INCORPORATED. IT IS SUBJECT TO CHANGE<br>AND THE CONTROLLING ENGINEERING ORGANIZATION<br>SHOULD BE CONTACTED FOR THE LATEST REVISION. |

|   |  |                                |  |
|---|--|--------------------------------|--|
| THIS DRAWING IS A CONTROLLED DOCUMENT.  |  | DWN<br>TA BRINKMAN<br>4-15-93  | TE Connectivity  |
| DIMENSIONS:<br>MM[INCHES]   |  | CHK<br>DA PATTERSON<br>4-15-93 |  |
| TOLERANCES UNLESS<br>OTHERWISE SPECIFIED:                                     |  | APVD<br>DE MILLER<br>4-15-93   | NAME<br>TERMINAL, RING TONGUE,<br>HIGH TEMPERATURE,<br>STRATO-THERM™ |
| 0 PLC ± -<br>1 PLC ± -<br>2 PLC ± -<br>3 PLC ± -<br>4 PLC ± -<br>ANGLES ± ± - |  | PRODUCT SPEC<br>-              | SIZE<br>A2   |
| MATERIAL<br>NICKEL PER<br>ASTM B-162<br>ANNEALED                              |  | APPLICATION SPEC<br>-          | CAGE CODE<br>00779   |
|   |  | WEIGHT<br>-                    | DRAWING NO<br>G-322335   |
|   |  | CUSTOMER DRAWING               | RESTRICTED TO<br>-   |
|   |  | SCALE<br>8:1                   | SHEET<br>1 of 1  |
|   |  |                                | REV<br>F1  |